

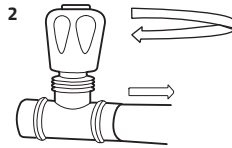
## SmartWash Seats

- The voltage required for this product should be in between 220 V - 240 V, 50 Hz - 60 Hz
- For your safety and proper use of the product, please read this installation manual before using the seat

## Installation Process

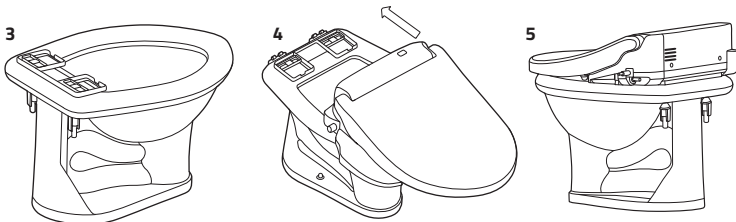
### Before Installing

1. Remove the bolts and detach the existing toilet seat and lid.
2. Turn off the water supply valve and detach the hose.



### How to Install the Seat

3. Place the plate and guides over each mounting hole. Insert the mounting bolts with respect to the sequence shown in the picture.
4. Slide the seat into the mounting plate, until it clicks into place.
5. Once the seat position is acceptable for the user, tighten the bolts firmly.

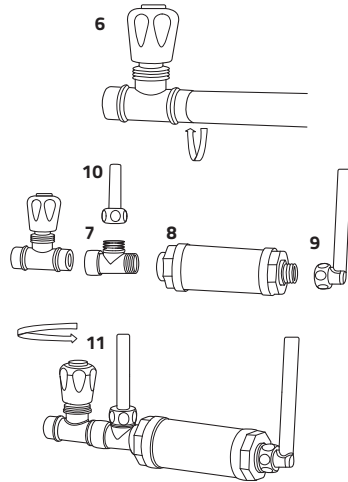


\*Ensure that all the fixtures are tightened firmly.

\*\*There may be some water left over in the product due to the test and inspection process at the factory.

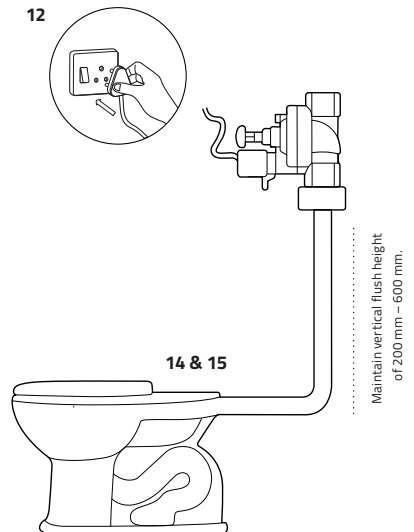
### How to Install the Plumbing

6. Detach the existing pipe from the water outlet.
7. The branch fitting has three outlets. Attach one side of the branch fitting to the water outlet.
8. Attach the second outlet of the branch fitting to the water filter.
9. Attach the filter to the main water line hose on the other end. Connect this hose to the seat inlet.
10. Attach the flush hose to the third outlet (middle outlet) of the branch fitting and connect it to the flush tank.
11. Open main valve for water supply.
12. Connect the power plug to the electrical outlet. Make sure to use a grounded outlet.



### How to Install the Auto Flush Valve\*

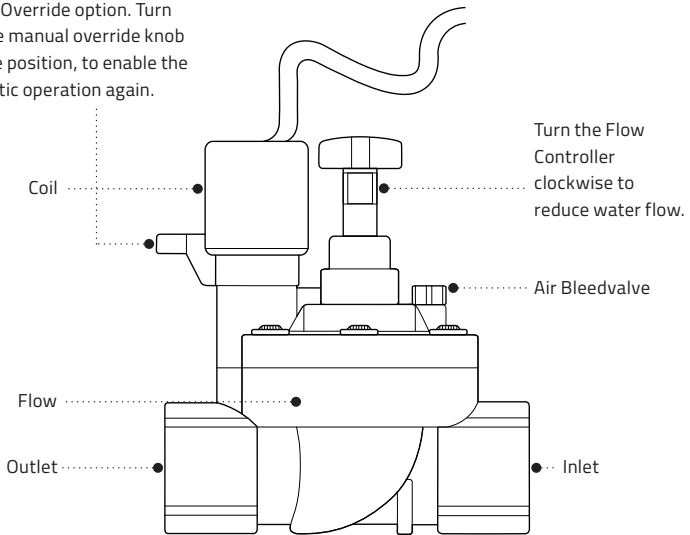
13. Fix a one inch male threaded nipple (not in the list of accessories provided) into the water line inlet and outlet.
14. Connect the Auto Flush valve to the water line.
15. Place the Auto-Flush valve on the wall or conceal it inside the wall.



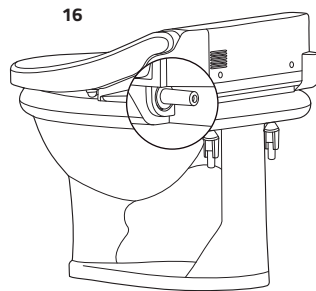
\*This feature is only available with the SmartWash Utopia and SmartWash Carbon seats.

### Auto Flush Valve

During power failures, use the Manual Override option. Turn back the manual override knob to home position, to enable the automatic operation again.

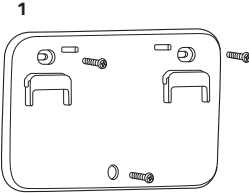


16. Connect the DC Jack to the outlet available in the product.

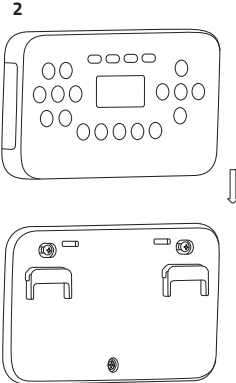


# How to Install the Remote Holder

1. Attach the remote holder on the wall using the anchor plugs and tighten with screws.



2. Slide the remote downwards on the holder to lock.





**Registered Office:**

#444, KIADB, 2nd Stage, Sompura Industrial Area,  
Dabaspet, Bengaluru, Karnataka 562111

[www.ballamudi.in](http://www.ballamudi.in)

mail : [info@ballamudi.in](mailto:info@ballamudi.in)

Call : +91 8150952266 / +91 8150852266